

For information on laying LVT planks, refer to Guidelines [303] GLUE-DOWN INSTALLATION CREATION 30 / 55 / 70, [311] CREATION 55 LOOSELAY and [314] CREATION 70 LOOSELAY and [392] CREATION ZEN

1.1 - HERRINGBONE PLANK INSTALLATION

For laying the planks in a herringbone pattern these different axes need to be marked out.



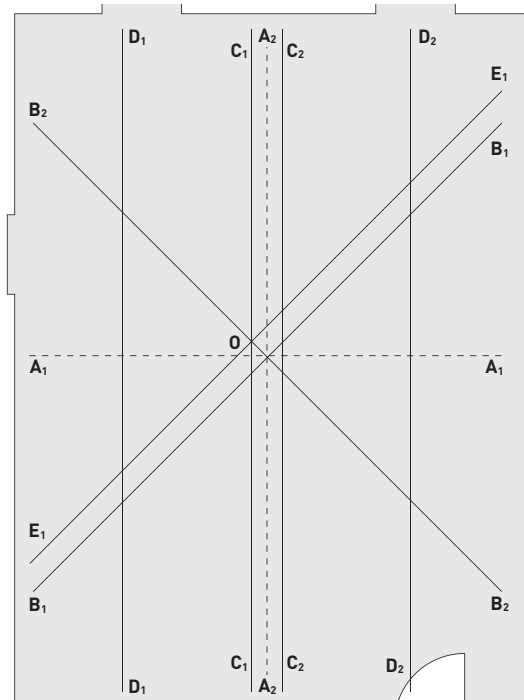
MEASUREMENTS OF THE DIFFERENT AXES TO BE MARKED OUT DEPENDING ON THE PLANKS								
	Size Length Width (mm)	A1 / A2 Transversal Longitudinal Axis	B1 / B2 Diagonals	C1 / C2 // longitudinal axis	D1 / D2 Gluing area First row	E1	O- B2	Notes
Creation glue down installation*	762 x 152.4	YES	YES	5.4 cm from axis A2	0.60 m from axis A2	7.6 cm from axis B1	Positioning of the first plank	No need to reproduce bevelled effects
Creation LooseLAY	914,4 x 152,4		YES	5.4 cm from axis A2	0.70 m from axis A2	7.6 cm from axis B1		
Creation Zen	750 x 150		YES	5.3 cm from axis A2	0.60 m from axis A2	7.5 cm from axis B1		

* Installation possible on SMARTFIX underlay, Guidelines [303A]

Mark the axes on the protective paper.
Gently cut the protective paper as the installation progresses

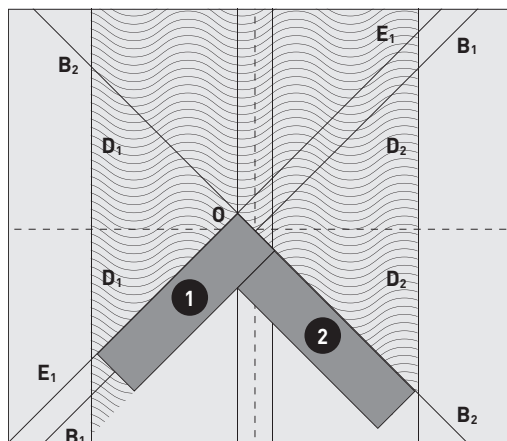
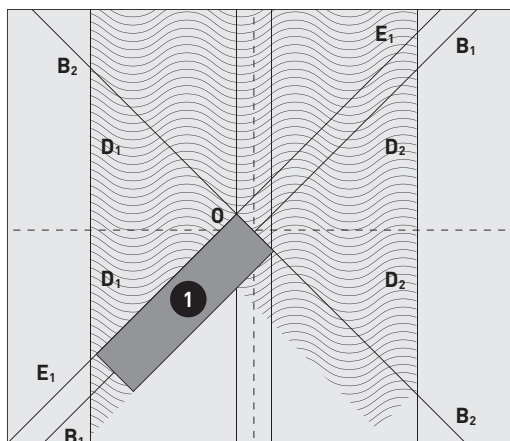
1.2 - MARKING THE AXES

- Mark the axes in the following order :
- A1 / A2: Longitudinal and Transversal Axes
 - B1 / B2: Diagonals
 - C1 / C2: // to longitudinal axis
 - D1 / D2 Gluing area of first row
 - E: // to diagonal B1/B2
 - O : Installation starting point

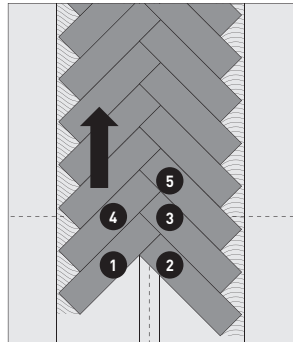


1.3 - INSTALLING THE FIRST ROW

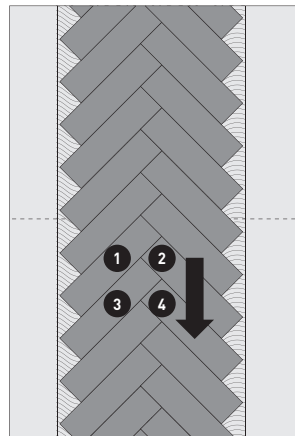
- Glue the first half row:
 - 0.60 m either side of the longitudinal axis for the formats glue down Creation and Creation ZEN
 - 0.70 m either side of the longitudinal axis for LooseLAY format 914,4 x 152,4 mm
- Apply the adhesive or tackifyer according to the indications of the manufacturer (see technical data sheet). Depending on the nature of the subfloor, the use of a primer might be necessary.
- Position the first plank on point (O) and diagonal (E1)
- Position the second plank using the first plank and diagonal (B2) as a guide
- Carefully adjust the planks edge to edge, without any gaps between joints, in order to avoid any offset during the laying.



- Install the following planks on the first half glued
- Carefully adjust the planks edge to edge, without any gaps between joints, in order to avoid any offset during the laying.

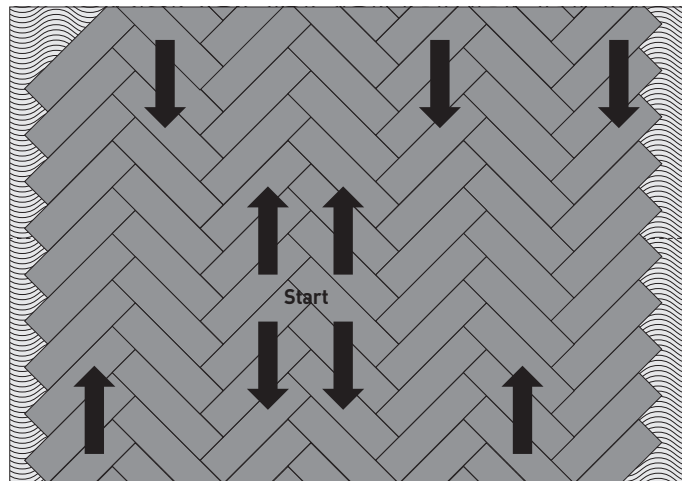
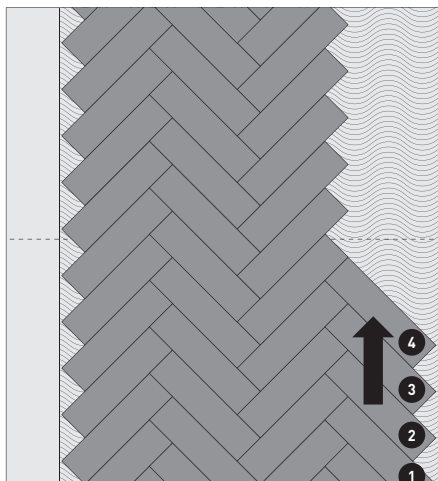
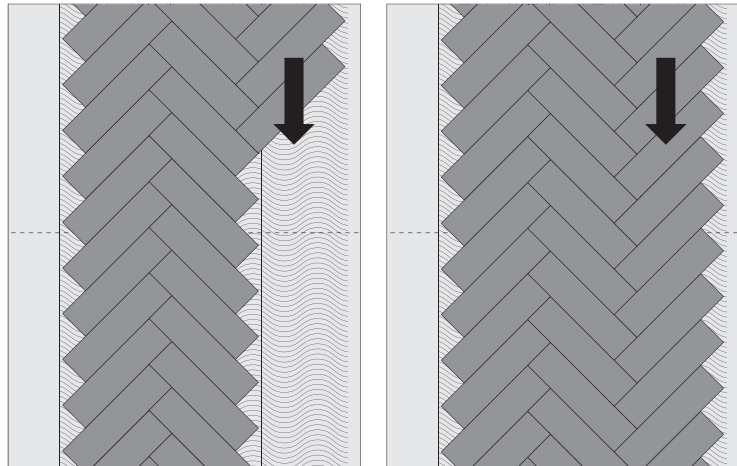


- Glue and position the 2nd half down under the cross axis



1.4 - INSTALLING THE FOLLOWING ROWS

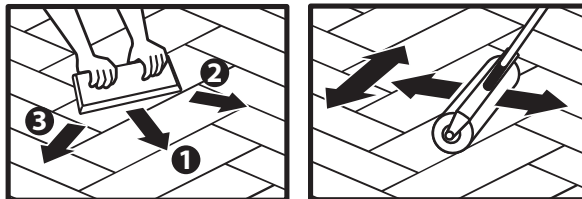
- Glue the following strips.
- Lay the third row starting from the top of the row.
- Place the first plank neatly in the corner .
- Then install all the following planks in the row .
- Continue laying the fourth row starting from the bottom of the row.
- Lay all the planks in the row.
- Proceed in the same way for all the other rows.



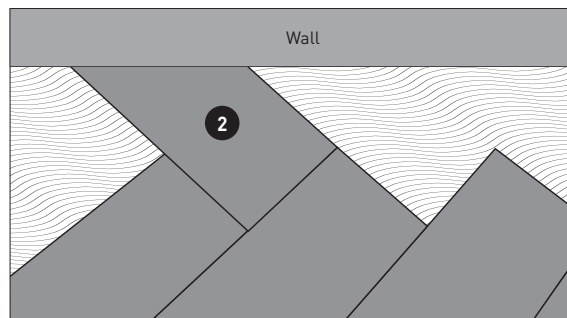
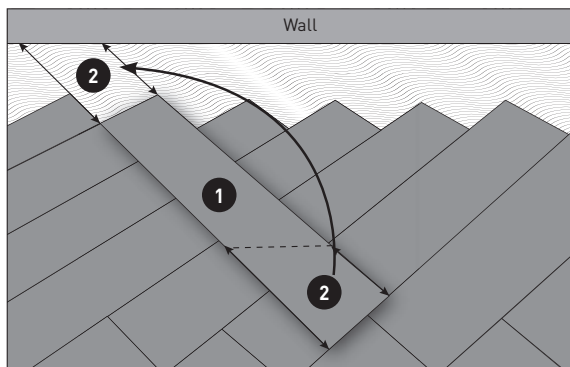
■ 1.5 - SMOOTHING

Smoothing must be done in two stages:

- Manually using a smoothing press,
- Rolling with a smoothing roller over the entire surface once the installation is complete.



■ 1.6 - TRIMMING



- 1 Put a plank on top.
- 2 Measure and mark the measurements on the planks.

This can also be done by using a pre-prepared template.